

TECHNICAL SPECIFICATIONS

Electric Brixton Town Hall Parade Brixton Hill SW21RJ
02072742290
www.electricbrixton.uk.com
info@electricbrixton.uk.com

CONTACT DETAILS

Tom Cull Production Manager	tom.cull@electricbrixton.uk.com	07986793270
Mike Weller Head of Music	mike.weller@electricbrixton.uk.com	07740175585
Michael Yardy Operations Manager	michael.yardy@electricbrixton.uk.com	07713708169
Natasha Harding Assistant to Head of Music	natasha.harding@electricbrixton.uk.com	02072742290

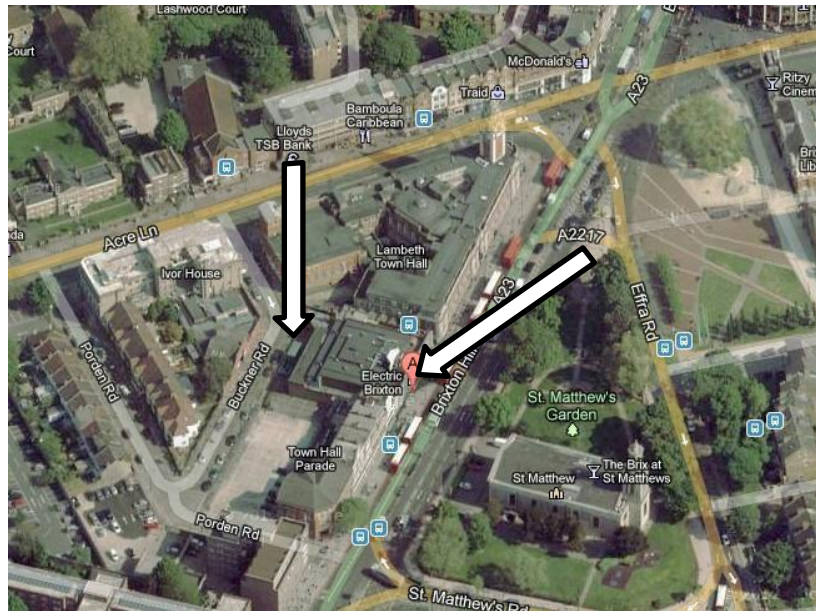


LOAD IN LOCATION:

Buckner Road
SW2 5RS
Load in access is flat straight
onto stage and ramped straight
onto dance floor (2 steps)
Stage entrance is a single width
door.

VENUE ADDRESS:

Electric Brixton
Town Hall
Parade Brixton
Hill SW21R



PARKING (IMPORTANT)

If you wish to park a vehicle at the venue, we can arrange this with Lambeth council

Vehicle registration details must be given to the Ops Manager at least 14 days prior to the event

Any requests outside of this time frame cannot be processed - this is a council limit, not a venue limit

The space is suitable for full tour bus/2 splitters etc

- 1 x 32 3 phase power

Otherwise there is Pay & Display street parking available in the area for 2 hours during the period of 8am – 5:30pm, from 5:30pm it's free



MAIN ROOM

DESKS, MULTICORE, LINESYSTEM

- FOH – Midas Pro 2 with x1 DL251 + X1 DL151
- Mons – Yamahaa M7CL
- Multi – 48/12 split 4 ways (SL + SR patch boxes, monitor, FOH & Broadcast SL)
- Linesystem – 4x 12-way socca stage boxes, 1x 8way hard wired stage box, 100x XLR

CABINETS (ALL D&B)

- FOH – 3x J8, 2x J-sub, 1x B2 Per Side
- Infills – 1x Q7 Per Side
- Stage Fills – X2 C4 tops, X2 C4 subs Per Side Balcony Fills – 2x J8 Per side Flying Amplification – 14x D12 all on R1 for remote control from FOH
- Mons – 10x Max15, 1x E18 (drumsub) inc PFL Mons Amps – 5x Crest CPX3200, 2x D&B Epac (drumsub)
- Spares – 1x D&B Epac spare, 1x Crest CPX Spare

LIGHTING

Console –

- Avolites Tiger Touch II

Movers –

- 10x Chauvet Rogue R2 LED Spot,
- 10x Chauvet Rogue R2 Wash,
- 6x Beam200.
- 1x spare of each unit on site.

Generics –

- 3x Bar of six 750w S4 Parnel,
- 6x 4-lite molefay

Effects –

- 5x Atomic 3000 DMX,
- 2x Martin ZR-44 Smoke Machine

CABINETS

FOH – 4x D&B E12 (wall mounted) 4x D&B Q-sub (under stage)
DJ Monitor – 1x QSC K8
Amplification -2x D&B D12

DJ EQUIPMENT

Main Room

- 2x CDJ NXS2
- 3x CDJ2000 Nexus,
- 2x Technics 1210,
- 2x DJM-900 Nexus

Room 2

- 2x CDJ2000
- 2x Technics 1210
- 1x DJM- 900 Nexus

RISERS

- 4x 8x4 Steel Deck (1ft, 2ft legs, mixed legs at 3ft)
- 2x 2m x 1m Lightdeck
- 1 x 8ft x 2ft Lightdeck

STANDS, DI'S AND MICS

- 11x Tall Stand 10x Short Stand
- 1x Round Based Stand
- 1xAR116
- 2x Radial J48
- 4x Radial JDI,
- 1x EMODual
- 2x Shure Beta 52
- 1x Shure Beta 91 6x KSM-137
- 8x Sennheiser 604 9x SM57
- 10x SM

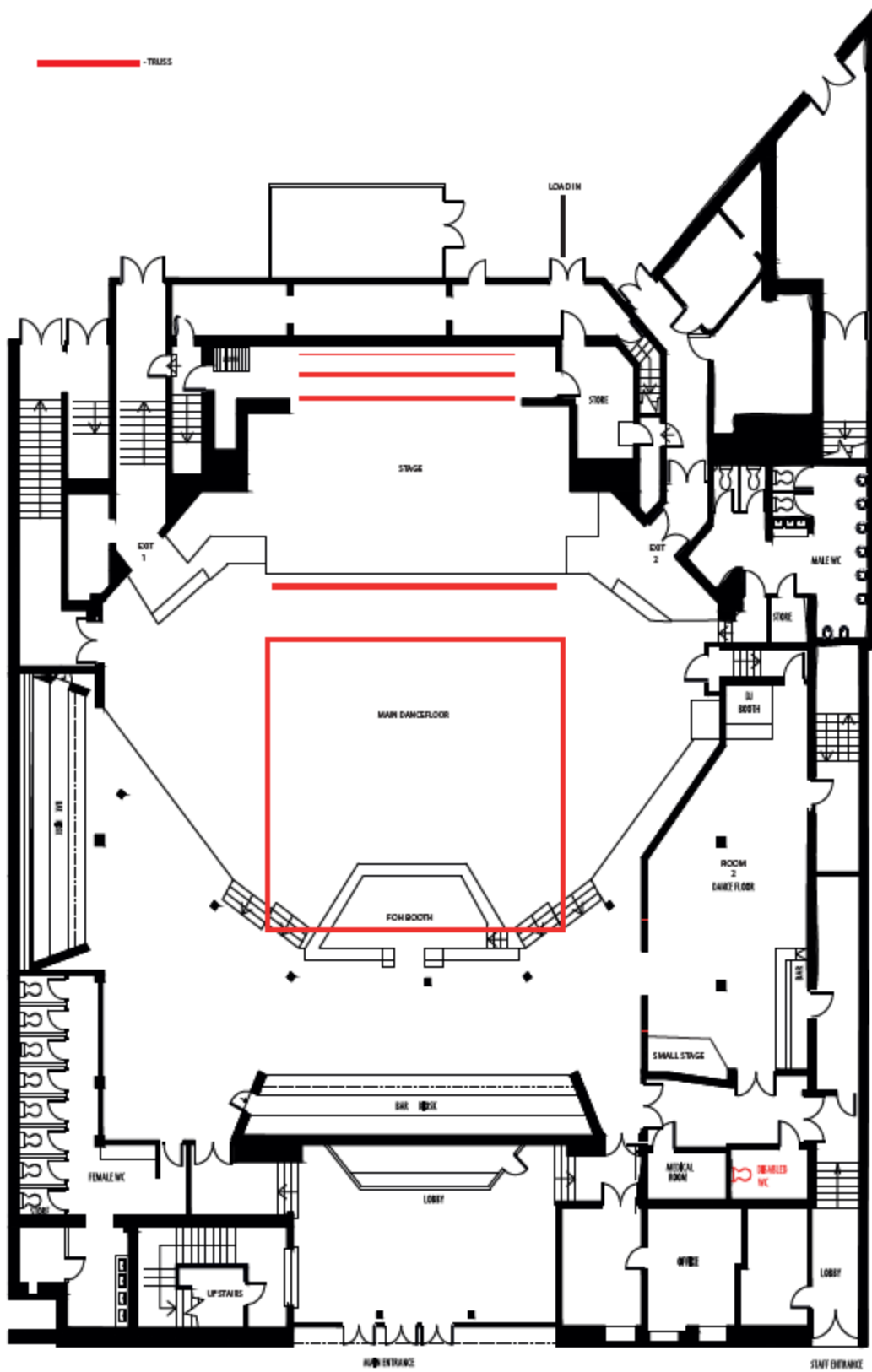
POWER

100A per phase max split into

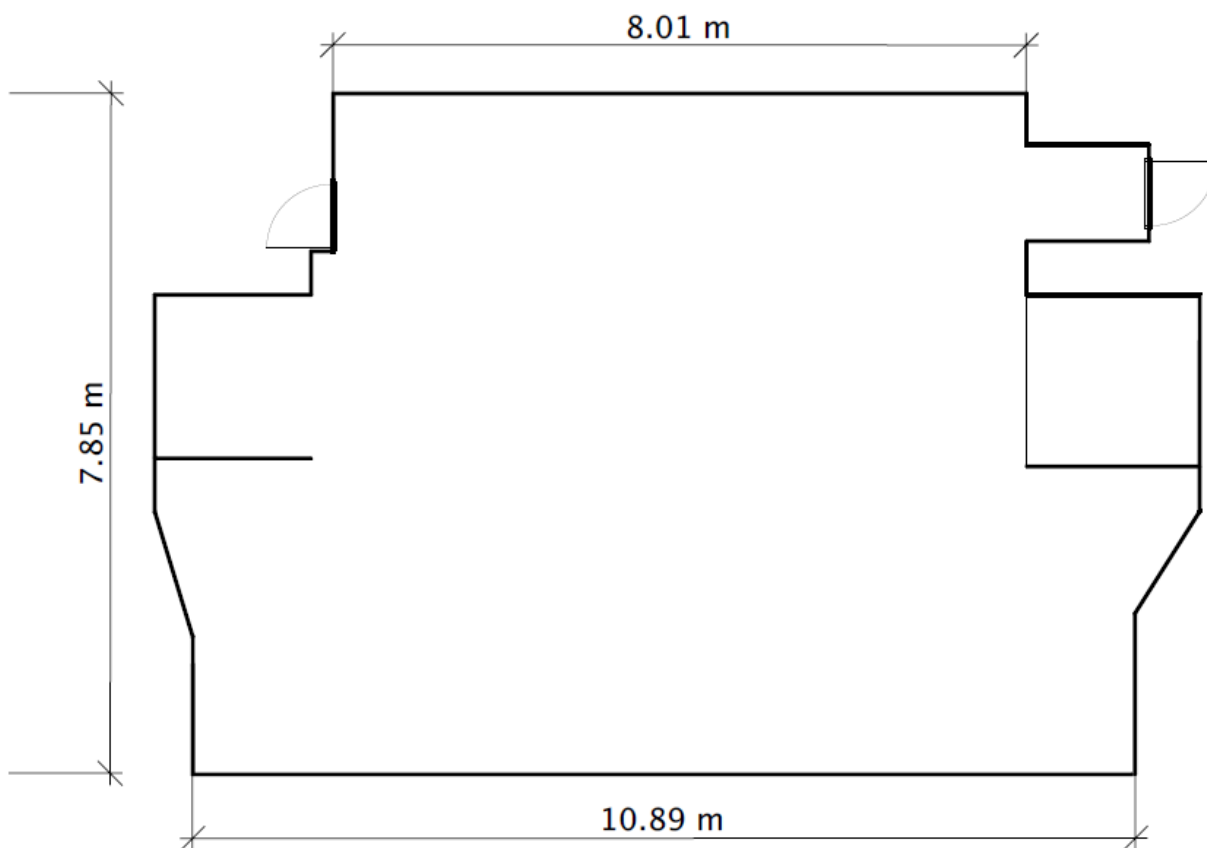
- 1x 63/3
- 2x 32/3
- 2x 32/1
- 1x 16/1

Backline power – 32/1

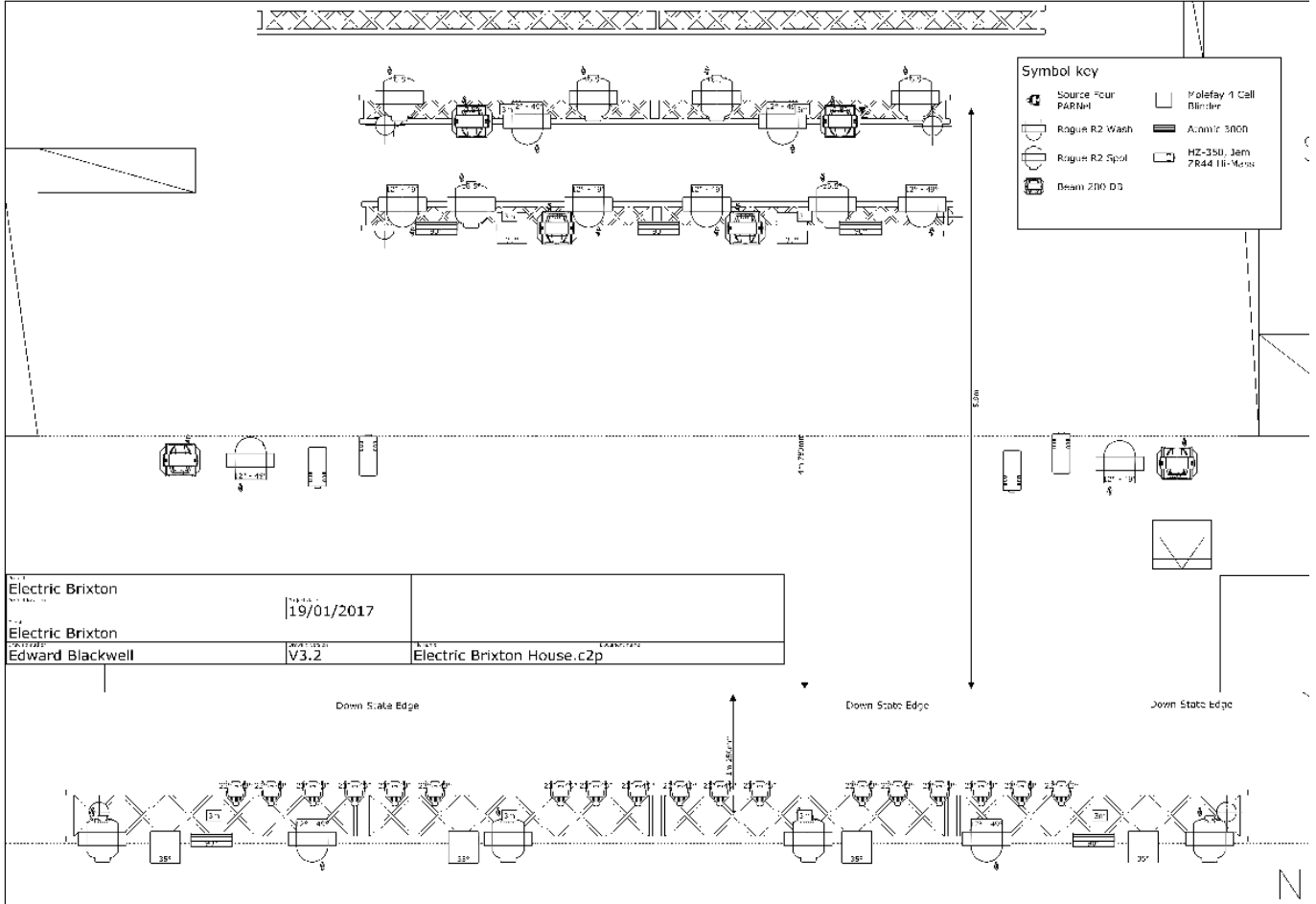
Venue Ground Floor



Stage Dimensions



LIGHTING PLOT





LIGHTING PATCH

"Fixture Number"	Fixture	Manufacturer	Mode	Short Name	Universe	Address	Legend	Location
1	Rogue R2 Spot	Chauvet	Advanced, 21 DMX	Rogue R2Sp	2	1	LX1 SR	Fixtures, 1.024
2	Rogue R2 Spot	Chauvet	Advanced, 21 DMX	Rogue R2Sp	2	22	LX1 SL	Fixtures, 1.027
3	Rogue R2 Wash	Chauvet	22 DMX	Rg R2 Wash	2	125	LX1 SR	Fixtures, 1.054
4	Rogue R2 Wash	Chauvet	22 DMX	Rg R2 Wash	2	147	LX1 SL	Fixtures, 1.026
5	Rogue R2 Wash	Chauvet	22 DMX	Rg R2 Wash	2	169	Floor SR	Fixtures, 1.025
6	Rogue R2 Wash	Chauvet	22 DMX	Rg R2 Wash	2	191	Floor SL	Fixtures, 1.055
7	Rogue R2 Spot	Chauvet	Advanced, 21 DMX	Rogue R2Sp	2	43	LX1 CSR	Fixtures, 1.056
8	Rogue R2 Spot	Chauvet	Advanced, 21 DMX	Rogue R2Sp	2	64	LX1 CSL	Fixtures, 1.053
9	Beam 200	Unknown	Extended, 20 DMX	Beam 200	2	85	Floor SR	Fixtures, 1.057
10	Beam 200	Unknown	Extended, 20 DMX	Beam 200	2	105	Floor SL	Fixtures, 1.058
38	Dimmer	Generic	Dimmer	Dim	1	355	Blinder	Fixtures, 2.021
39	Dimmer	Generic	Dimmer	Dim	1	356	Blinder	Fixtures, 2.022
40	Dimmer	Generic	Dimmer	Dim	1	357	Blinder	Fixtures, 2.023
41	Dimmer	Generic	Dimmer	Dim	1	358	Blinder	Fixtures, 2.024
42	Dimmer	Generic	Dimmer	Dim	1	359	Blinder	Fixtures, 2.025
43	Dimmer	Generic	Dimmer	Dim	1	360	Blinder	Fixtures, 2.026
46	Dimmer	Generic	Dimmer	Dim	1	361	Front Pars	Fixtures, 2.036
47	Dimmer	Generic	Dimmer	Dim	1	362	Front Pars	Fixtures, 2.035
48	Dimmer	Generic	Dimmer	Dim	1	363	Front Pars	Fixtures, 2.034
49	Dimmer	Generic	Dimmer	Dim	1	364	Front Pars	Fixtures, 2.033
50	Dimmer	Generic	Dimmer	Dim	1	365	Front Pars	Fixtures, 2.032
51	Dimmer	Generic	Dimmer	Dim	1	366	Front Pars	Fixtures, 2.031
52	Dimmer	Generic	Dimmer	Dim	1	367	Front Pars	Fixtures, 2.046

53	Dimmer	Generic	Dimmer		1	368	Front Pars	Fixtures, 2.045
54	Dimmer	Generic	Dimmer	Dim	1	369	Front Pars	Fixtures, 2.044
55	Dimmer	Generic	Dimmer	Dim	1	370	Front Pars	Fixtures, 2.043
56	Dimmer	Generic	Dimmer	Dim	1	371	Front Pars	Fixtures, 2.042
57	Dimmer	Generic	Dimmer	Dim	1	372	Front Pars	Fixtures, 2.041
58	Dimmer	Generic	Dimmer	Dim	1	373	Front Pars	Fixtures, 2.056
59	Dimmer	Generic	Dimmer	Dim	1	374	Front Pars	Fixtures, 2.055
13	Dimmer	Generic	Dimmer	Dim	1	375	Front Pars	Fixtures, 2.054
14	Dimmer	Generic	Dimmer	Dim	1	376	Front Pars	Fixtures, 2.053
15	Dimmer	Generic	Dimmer	Dim	1	377	Front Pars	Fixtures, 2.052
16	Dimmer	Generic	Dimmer	Dim	1	378	Front Pars	Fixtures, 2.051
61	Dimmer	Generic	Dimmer	Dim	2	511	Smox	Fixtures, 1.039
62	Dimmer	Generic	Dimmer	Dim	2	498	Haze Pump	Fixtures, 1.074
63	Dimmer	Generic	Dimmer	Dim	2	499	Haze Fan	Fixtures, 1.073
115	Rogue R2 Spot	Chauvet	Advanced, 21 DMX	Rogue R2Sp	1	1	LX3 SR	Fixtures, 1.013
116	Rogue R2 Spot	Chauvet	Advanced, 21 DMX	Rogue R2Sp	1	22	LX2 SR	Fixtures, 1.014
117	Rogue R2 Spot	Chauvet	Advanced, 21 DMX	Rogue R2Sp	1	43	LX3 SR	Fixtures, 1.015
118	Rogue R2 Spot	Chauvet	Advanced, 21 DMX	Rogue R2Sp	1	64	LX3 SL	Fixtures, 1.016
119	Rogue R2 Spot	Chauvet	Advanced, 21 DMX	Rogue R2Sp	1	85	LX2 SL	Fixtures, 1.017
120	Rogue R2 Spot	Chauvet	Advanced, 21 DMX	Rogue R2Sp	1	106	LX3 SL	Fixtures, 1.018
121	Beam 200	Unknown	Extended, 20 DMX	Beam 200	1	127	LX3 SR	Fixtures, 1.004
122	Beam 200	Unknown	Extended, 20 DMX	Beam 200	1	147	LX2 SR	Fixtures, 1.005
123	Beam 200	Unknown	Extended, 20 DMX	Beam 200	1	167	LX2 SR	Fixtures, 1.006
124	Beam 200	Unknown	Extended, 20 DMX	Beam 200	1	187	LX3 SL	Fixtures, 1.007
125	Rogue R2 Wash	Chauvet	22 DMX	Rg R2 Wash	1	207	LX2 SR	Fixtures, 2.011
126	Rogue R2 Wash	Chauvet	22 DMX	Rg R2 Wash	1	229	LX3 SR	Fixtures, 2.012
127	Rogue R2 Wash	Chauvet	22 DMX	Rg R2 Wash	1	251	LX2 SR	Fixtures, 2.013

128	Rogue R2 Wash	Chauvet	22 DMX	Rg R2 Wash	1	273	LX2 SL	Fixtures, 2.014
130	Rogue R2 Wash	Chauvet	22 DMX	Rg R2 Wash	1	309	LX3 SL	Fixtures, 2.015
135	Rogue R2 Wash	Chauvet	22 DMX	Rg R2 Wash	1	331	LX2 SL	Fixtures, 2.016
131	Atomic 3000	Martin	4 Channel	Atomc3000	1	297	LX2 SR	Fixtures, 2.017
132	Atomic 3000	Martin	4 Channel	Atomc3000	1	301	LX2 C	Fixtures, 2.018
133	Atomic 3000	Martin	4 Channel	Atomc3000	1	305	LX2 SL	Fixtures, 2.019
21	Atomic 3000	Martin	4 Channel	Atomc3000	2	217	LX1 SR	Fixtures, 1.034
11	Atomic 3000	Martin	4 Channel	Atomc3000	2	213	LX1 SL	Fixtures, 1.033

BACKSTAGE

PRODUCTION OFFICE (STAGE RIGHT)

Conference table
Wifi (dedicated line)

DRESSING ROOM 3 (STAGE LEFT)

4m x 3.5m
Comfortable seating for four
Fridge

GREEN ROOM (STAGE RIGHT)

Wifi
Fridge
Comfortable seating for four

Communal toilet and ice machine backstage

DRESSING ROOM 1 (STAGE LEFT)

4m x 3m
Air Conditioning
Heater
En suite shower and toilet
Comfortable seating for six
Fridge

DRESSING ROOM 2 (STAGE LEFT)

3m x 2.5m
Air conditioning
En suite shower and toilet
Comfortable seating for 4
Fridge



NEARBY

SUPERMARKET	Tescos	13 Acre Lane, SW2 5RS
DRY CLEANERS	Sav & Son	6 Acre Lane, SW2 5SG
COFFEE SHOP	Starbucks	439 Brixton Road, SW9 8HE
TUBE	Brixton (Victoria Line)	427 Brixton Road, SW9 8HE
CHEMIST	Boots	449 Brixton Road, SW9 8HH
DENTIST	Blue Dental Care	232 Stockwell Rd, SW9 9SU
TAXI	Greyhound Cars	020 3388 3388
HOSPITAL	King's College	Denmark Hill, London SE5 9RS

RESTAURANTS

Fujiyama (Japanese)
5-7 Vining Street, SW9 8QA
020 7274 0591

Wahaca (Mexican street food)
20 Atlantic Road, SW9 8JA
020 3763 6357

Gremio de Brixton (Spanish tapas)
Effra Rd, SW2 1JF
020 7924 0660

KaoSarn (Thai)
Brixton Village Market
Coldharbour Lane, SW9 8PR

BACKLINE HIRE

Matt Snowball Music
02077006555

John Henry's
02076099181

FX Rentals
020 8746 2121

HOTELS

Windmill Hotel 3*
Clapham Common South Side, London
SW4 9DE
www.windmillclapham.co.uk/

Park Plaza 4*
239 Vauxhall Bridge Rd, London
SW1V 1EQ
www.parkplaza.co.uk/london-hotel-gb-sw1v-1eq/gbvictor

ELECTRICAL

Currys PC World
51-57 Effra Rd, London SW2 1BZ
<http://www.currys.co.uk/gbuk/index.html>